

DIGBNC SUB

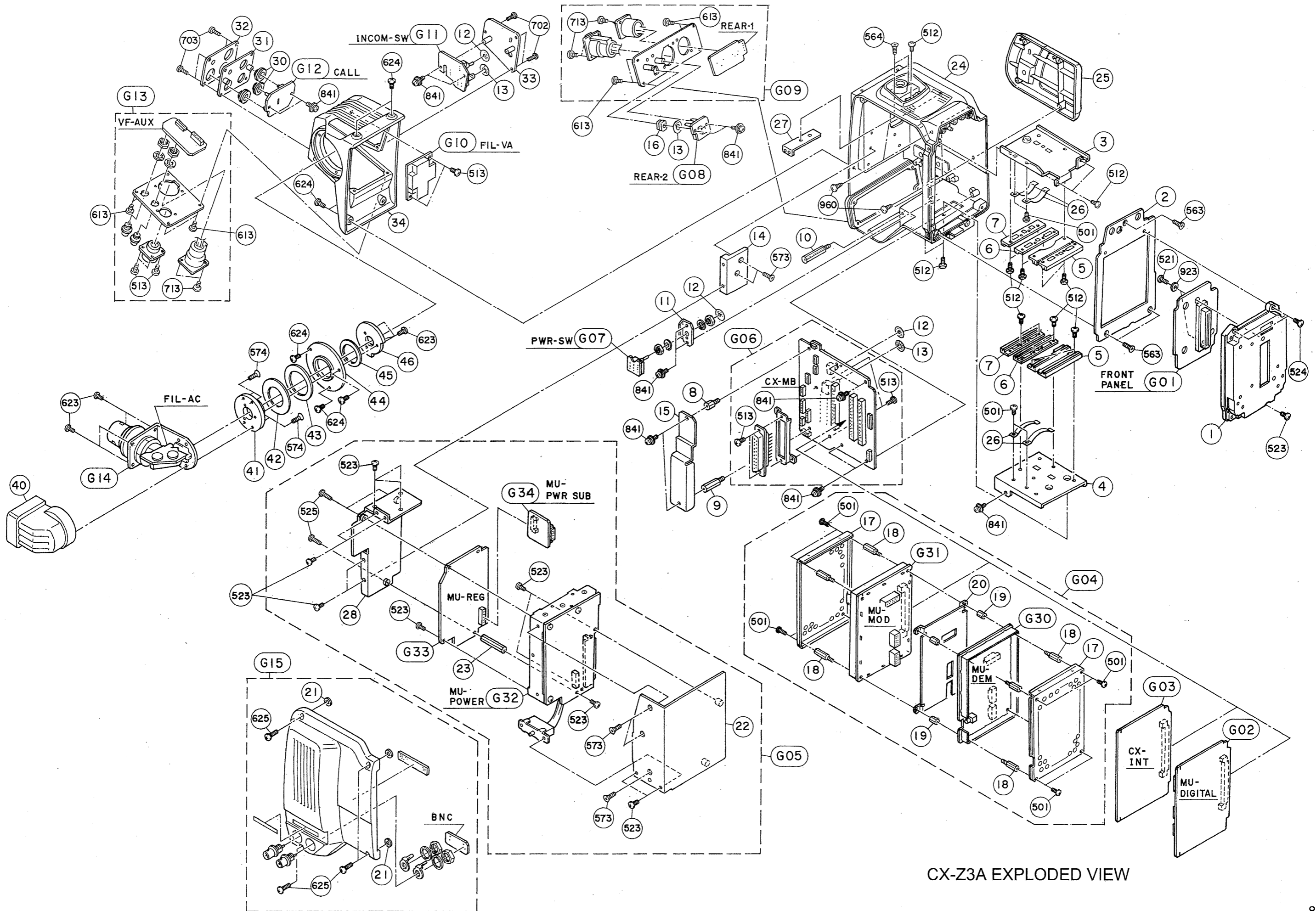
SYMBOL	PART CODE	DESCRIPTION		
TP201	ETS0174CA	CHECK, CHIP	EYF6C(2125)/RCT00000C001A	
TP202	ETS0174CA	CHECK, CHIP	EYF6C(2125)/RCT00000C001A	

DIGBNC

SYMBOL	PART CODE	DESCRIPTION		
CN301	JBF0111	CONNECTOR	FX6-20S-0.8SV2	
CN302	JHP0020	CON, COAX	P2405 2P	STD
CN303	JHP0020	CON, COAX	P2405 2P	STD
CN304	JHP0020	CON, COAX	P2405 2P	STD

ACCESSORIES

SYMBOL	PART CODE	DESCRIPTION		
	8675582 A	CABLE ASSY	DF13-14X2, 230MM	
	JHB0046	COAX, CON	BNC111-TP	



CX-Z3A EXPLODED VIEW

CX-Z3A MECHANICAL PARTS LIST

SYMBOL	PART CODE	DESCRIPTION	Q'ty
1	22M0263	FRONT CASE ASSY	1
2	3403876A	FRONT PANEL	1
3	3413167A	CHASSIS (U)	1
4	3413168A	CHASSIS (B)	1
5	3291201A	GUIDE RAIL	1
6	3291201A	GUIDE RAIL	1
7	3291201A	GUIDE RAIL	1
8	8660533A	SPACER	1
9	8660533D	SPACER	1
10	8660533E	SPACER	1
11	8649747A	SW BRACKET	1
12	8663515B	SCREEN	3
13	8663515A	SCREEN	3
14	8681896A	HEAT SINK BASE	1
15	8671174A	LINE COVER	1
16	8636386A	SW GUARD	1
17	8669293A	SHIELD COVER	2
18	8660532B	SPACER	8
19	8644999D	SPACER	4
20	8669294A	SHIELD BRACKET	1
21	8651916A	WASHER	4
22	22M0264	PWR PANEL ASSY	1
23	8556933GG	SPACER	1
24	22M0265	MAIN FRAME ASSY	1
25	22M0266	FACE PAD ASSY	1
26	8675187A	SPRING	4
27	8680669A	BRACKET	1
28	22M0267	BRACKET ASSY	1
30	8525306A	BUSHING	3
31	22M0268	REAR BURACKET ASSY	1
32	8672568A	REAR PANEL	1
33	22M0269	SW PANEL ASSY	1
34	22M0270	REAR CASE ASSY	1
40	3413160A	TRX COVER	1
41	8669303A	ROTARY BASE	1
42	8669307A	SPRING	1
43	8672556C	SPACER (2)	1
44	8672555A	ROTARY PLATE	1
45	8669306D	SPACER (1)	1
46	8669305A	BRACKET	1

SYMBOL	PART CODE	DESCRIPTION	Q'ty
501	XCA6204	SCREW BIND HD M2X4 NIP	12
512	XCA6005	SCREW BIND HD M2.6X5 NIP	18
513	XCA6006	SCREW BIND HD M2.6X6 NIP	12
521	XCA1369	SCREW BIND HD M3X4 NIP	2
523	XCA6306	SCREW BIND HD M3X6 NIP	12
524	XCA6308	SCREW BIND HD M3X8 NIP	2
525	XCA6310	SCREW BIND HD M3X10 NIP	3
563	XCA7006	SCREW FLAT HD M2.6X6 NIP	3
564	XCA7008	SCREW FLAT HD M2.6X8 NIP	4
573	XCA7306	SCREW FLAT HD M3X6 NIP	5
574	XCA7308	SCREW FLAT HD M3X8 NIP	4
613	XCA1656	SCREW BIND HD M2.6X6 DNIP	8
623	XCA1817	SCREW BIND HD M3X6 DNIP	7
624	XCA1818	SCREW BIND HD M3X8 DNIP	7
625	XCA1820	SCREW BIND HD M3X10 DNIP	4
702	8370588C	SCREW PAN HD M2X4 DZNP	3
703	8447518E	SCREW PAN HD M2X8 DZNP	4
713	XCA0059	SCREW PAN HD M2.6X6 NIP	6
841	XCA0689	SCREW W/W.SW SEMS M3X6	15
923	XCA1855	WASHER NIP	2
960	8651995A	SCREW P-TIGHT M3X8 ZNP	4
G01	24E0069	FRONT PANEL	1
G02	24E0095	MU-DIGITAL (FOR NTSC)	1
G02	24E0096	MU-DIGITAL (FOR PAL)	1
G03	24E0071	CX-INT (FOR NTSC)	1
G03	24E0079	CX-INT (FOR PAL)	1
G04	24X0261	MU-MOD/DEM ASSY	1
G05	24X0264	MU-PWR/REG ASSY	1
G06	24X0266	CX-MB	1
G07	24E0074	PWR-SW	1
G08	24E0075	REAR-2	1
G09	24X0267	REAR-1	1
G10	24E0064	FIL-VA	1
G11	24E0076	INCOM-SW	1
G12	24E0077	CALL	1
G13	24X0268	VF-AUX	1
G14	24X0269	TRX/FIL-AC ASSY (FOR KINGS TYPE)	1
G14	24X0277	TRX/FIL-AC ASSY (FOR FISCHER TYPE)	1
G14	24X0278	TRX/FIL-AC ASSY (FOR TAJIMI TYPE)	1
G15	24X0270	RIGHT COVER ASSAY (BNC)	1
G30	24X0263	MU-DEM	1
G31	24X0626	MU-MOD	1
G32	24X0265	MU-POWER	1
G33	24E0072	MU-REG	1
G34	24E0073	MU-PWR-SUB	1

CX-MB

SYMBOL	PART CODE	DESCRIPTION	
J1	JBK0024	CONNECTOR	KX14-140K5D1
J2	JBK0024	CONNECTOR	KX14-140K5D1
J3	JBK0024	CONNECTOR	KX14-140K5D1
J4	JMX0723	CONNECTOR	17JE-13370-37
J6	JBF0133NA	CONNECTOR	FH12-40S-0.5SV
J11	JBF0070CG	CONNECTOR	FH12-10S-0.5SH
J13	JBF0071CJ	CONNECTOR	FH12-15S-0.5SH
J15	JBF0132CJ	CONNECTOR	FH12-24S-0.5SV
J17	JBD0044	CONNECTOR	DF11-12DP-2DSA
J21	JBB0155	CONNECTOR	B5B-EH
J23	JBD0041	CONNECTOR	DF11-6DP-2DSA
J26	JBB0156	CONNECTOR	B7B-EH
J28	JBD0043	CONNECTOR	DF11-10DP-2DSA
J31	JBB0054	CONNECTOR	B7B-PH-K-S
J32	JBB0145	CONNECTOR	B6B-EH
J33	JBB0021	CONNECTOR	B3B-XH-A
SW2	SST0370 SSY0680	SW, TOGGLE BRACKET	ATE1H-2M3-10 AZ0001
RV1	RDR0590	VR, CARBON	RK09K113-B5K LM1=15
R1	RME1433CA	R, METAL	1/10W 390 OHM +-5%
R2	RME1426CA	R, METAL	1/10W 100 OHM +-5%
R3	RME1426CA	R, METAL	1/10W 100 OHM +-5%
R4	RME1413CA	R, METAL	1/10W 0 OHM
R5	RME1426CA	R, METAL	1/10W 100 OHM +-5%
R6		NOT USED	
R7		NOT USED	
R8		NOT USED	
R9	RME1438CA	R, METAL	1/10W 1 KOHM +-5%
R10		NOT USED	
R11	RME1413CA	R, METAL	1/10W 0 OHM
R12	RME1413CA	R, METAL	1/10W 0 OHM
R13		NOT USED	
R14	RME1413CA	R, METAL	1/10W 0 OHM
R15	RME1413CA	R, METAL	1/10W 0 OHM
R16		NOT USED	
R17		NOT USED	
R18	RME1413CA	R, METAL	1/10W 0 OHM
Q1	HTD0247CZ	TRANSISTOR	DTC124EUA (25)
Q2	HTD0247CZ	TRANSISTOR	DTC124EUA (25)
IC1	ILN0039CG	IC, ANALOG	NJM2903M
IC2	IDT0497CA	IC, LOGIC	TC7SET04FU
D1	HDD0209CZ	DIODE	DAN217
R21	RCS0027	R, CARBON	1 W 220 KOHM +-5%
R22	RME1494	R, METAL	2 W 100 KOHM +-5%
R23	RME0900CA	R, METAL	1/8W 100 KOHM +-5%
R24	RMR4119CA	R, METAL	1/16W 470 OHM +-0.5%
R25	RMR4165CA	R, METAL	1/16W 3.9 KOHM +-0.5%
R26	RMR4119CA	R, METAL	1/16W 470 OHM +-0.5%
R27		NOT USED	
R28		NOT USED	
R29	RME0888CA	R, METAL	1/8W 10 KOHM +-5%
C21	CSX0166CY	C, TA ELYC	16 V 10 UF+-20%
C22	CSX0166CY	C, TA ELYC	16 V 10 UF+-20%
C23	CCG0678CA	C, CERAMIC	16 V 0.1 UF+80-20%
R41		NOT USED	
R42		NOT USED	
R31	RME1413CA	R, METAL	1/10W 0 OHM
R32	RME1413CA	R, METAL	1/10W 0 OHM
R33	RME1413CA	R, METAL	1/10W 0 OHM
R34	RME1413CA	R, METAL	1/10W 0 OHM
R35	RME1413CA	R, METAL	1/10W 0 OHM
R46	RME1809CA	R, METAL	1/32W 1 KOHM +-5%
R47	RME1809CA	R, METAL	1/32W 1 KOHM +-5%
R48	RME1809CA	R, METAL	1/32W 1 KOHM +-5%
R56	RME1784CA	R, METAL	1/32W 0 OHM +-5%
R57	RME1784CA	R, METAL	1/32W 0 OHM +-5%
R58	RME1784CA	R, METAL	1/32W 0 OHM +-5%
R59	RME1784CA	R, METAL	1/32W 0 OHM +-5%
R60	RME1784CA	R, METAL	1/32W 0 OHM +-5%
R61	RME1784CA	R, METAL	1/32W 0 OHM +-5%
R62	RME1784CA	R, METAL	1/32W 0 OHM +-5%

MU-DIGITAL(1/6)

SYMBOL	PART CODE	DESCRIPTION	
IC201	INE0118TA	IC	EPF10K100ARC240-3
IC202	INE0151	IC	EPC1PC8 CD1N1
IC203	IZA0142CY	IC	ADM708RAR
IC204	INMO105CX	IC	M66280FP
IC205	INMO105CX	IC	M66280FP
IC209	IDT0401CD	IC, LOGIC	TC7WU04FU
IC210	ILT0178CY	IC, ANALOG	TLC29321PWR
IC211	IDS0764CY	IC, LOGIC	SN74AHC04PWR
IC212	ILN0125CA	IC, ANALOG	NJM2406F
IC213	IZA0135CX	IC	AK4518VF
IC214	IZA0135CX	IC	AK4518VF
IC215	ILT0199CD	IC, ANALOG	TA75W558FU
IC216	ILT0199CD	IC, ANALOG	TA75W558FU
IC217	ILT0199CD	IC, ANALOG	TA75W558FU
IC218	ILT0199CD	IC, ANALOG	TA75W558FU
IC219	IPX0007CY	IC	XC62FP3302P
IC220	IZC0025TA	IC	CXD2304R
IC221	IDT0497CA	IC, LOGIC	TC7SET04FU
IC222	ILA0202CA	IC	AD8057ART
IC223	ILT0211CX	IC, ANALOG	TL026CPS
IC224	IZC0015	IC	CXD2302Q
IC225	ILT0199CD	IC, ANALOG	TA75W558FU
IC227	IDT0439CX	IC, LOGIC	TC7VHC123AFT
IC228	IDT0412CA	IC, LOGIC	TC7SH04F
IC229	IDT0412CA	IC, LOGIC	TC7SH04F
IC230	IDT0497CA	IC, LOGIC	TC7SET04FU
IC231	INE0152	IC	EPC1PC8 CD2N1
IC232	ILA0202CA	IC	AD8057ART
IC233	IDT0402CD	IC, LOGIC	TC4W53FU
IC401	INE0110TA	IC	EPF6016AQC208-3
IC402	INMO105CX	IC	M66280FP
IC403	INMO105CX	IC	M66280FP
IC404	INMO105CX	IC	M66280FP
IC405	INMO105CX	IC	M66280FP
IC407	IZA0142CY	IC	ADM708RAR
IC408	INE0153	IC	EPC1441PC8 CD3N1
IC408	INE0178	IC	EPC1441PC8 CD3P1
IC409	ILA0202CA	IC	AD8057ART
IC410	ILA0202CA	IC	AD8057ART
IC411	IDT0401CD	IC, LOGIC	TC7WU04FU
IC420	IZC0026TA	IC	CXD2315Q
IC421	IZC0026TA	IC	CXD2315Q
IC422	IDT0357CA	IC, LOGIC	TC7SU04FU (E6)
Q201	HTC0686CA	TRANSISTOR	2SC2462C (LC)
Q202	HTC0819CZ	TRANSISTOR	2SC3356 (R22[R25])
R202	RME1821CA	R, METAL	1/32W 10 KOHM +5%
R203	RME1819CA	R, METAL	1/32W 6.8 KOHM +5%
R204	RME1827CA	R, METAL	1/32W 33 KOHM +5%
R205	RME1836CA	R, METAL	1/32W 330 KOHM +5%
R206	RME1797CA	R, METAL	1/32W 100 OHM +5%
R207	RME1797CA	R, METAL	1/32W 100 OHM +5%
R208	RME1825CA	R, METAL	1/32W 22 KOHM +5%
R209	RME1827CA	R, METAL	1/32W 33 KOHM +5%
R210	RME1821CA	R, METAL	1/32W 10 KOHM +5%
R211	RME1821CA	R, METAL	1/32W 10 KOHM +5%
R212	RME1816CA	R, METAL	1/32W 3.9 KOHM +5%
R213	RME1815CA	R, METAL	1/32W 3.3 KOHM +5%
R214	RME1815CA	R, METAL	1/32W 3.3 KOHM +5%
R215	RME1810CA	R, METAL	1/32W 1.2 KOHM +5%
R216	RME1810CA	R, METAL	1/32W 1.2 KOHM +5%
R217	RME1809CA	R, METAL	1/32W 1 KOHM +5%
R218	RME1813CA	R, METAL	1/32W 2.2 KOHM +5%
R226	RME1823CA	R, METAL	1/32W 15 KOHM +5%
R229	RME1789CA	R, METAL	1/32W 22 OHM +5%
R230	RME1816CA	R, METAL	1/32W 3.9 KOHM +5%
R231	RME1814CA	R, METAL	1/32W 2.7 KOHM +5%
R232	RME1798CA	R, METAL	1/32W 120 OHM +5%
R233	RME1813CA	R, METAL	1/32W 2.2 KOHM +5%
R234	RME1813CA	R, METAL	1/32W 2.2 KOHM +5%
R235	RME1833CA	R, METAL	1/32W 100 KOHM +5%
R236	RME1809CA	R, METAL	1/32W 1 KOHM +5%
R237	RME1809CA	R, METAL	1/32W 1 KOHM +5%
R238	RME1809CA	R, METAL	1/32W 1 KOHM +5%
R239	RME1805CA	R, METAL	1/32W 470 OHM +5%
R240	RME1833CA	R, METAL	1/32W 100 KOHM +5%
R241	RME1809CA	R, METAL	1/32W 1 KOHM +5%
R242	RME1809CA	R, METAL	1/32W 1 KOHM +5%
R243	RME1809CA	R, METAL	1/32W 1 KOHM +5%
R244	RME1805CA	R, METAL	1/32W 470 OHM +5%
R245	RME1833CA	R, METAL	1/32W 100 KOHM +5%
R246	RME1815CA	R, METAL	1/32W 3.3 KOHM +5%
R247	RME1816CA	R, METAL	1/32W 3.9 KOHM +5%
R248	RME1816CA	R, METAL	1/32W 3.9 KOHM +5%
R249	RME1805CA	R, METAL	1/32W 470 OHM +5%
R250	RME1833CA	R, METAL	1/32W 100 KOHM +5%
R251	RME1815CA	R, METAL	1/32W 3.3 KOHM +5%
R252	RME1816CA	R, METAL	1/32W 3.9 KOHM +5%
R253	RME1816CA	R, METAL	1/32W 3.9 KOHM +5%
R254	RME1805CA	R, METAL	1/32W 470 OHM +5%

NTSC
PAL

MU-DIGITAL(2/6)

SYMBOL	PART CODE	DESCRIPTION	
R255	RME1833CA	R, METAL	1/32W 100 KOHM +5%
R256	RME1833CA	R, METAL	1/32W 100 KOHM +5%
R257	RME1809CA	R, METAL	1/32W 1 KOHM +5%
R258	RME1809CA	R, METAL	1/32W 1 KOHM +5%
R259	RME1809CA	R, METAL	1/32W 1 KOHM +5%
R260	RME1809CA	R, METAL	1/32W 1 KOHM +5%
R261	RME1809CA	R, METAL	1/32W 1 KOHM +5%
R262	RME1809CA	R, METAL	1/32W 1 KOHM +5%
R263	RME1785CA	R, METAL	1/32W 10 OHM +5%
R264	RME1815CA	R, METAL	1/32W 3.3 KOHM +5%
R265	RME1816CA	R, METAL	1/32W 3.9 KOHM +5%
R266	RME1816CA	R, METAL	1/32W 3.9 KOHM +5%
R267	RME1815CA	R, METAL	1/32W 3.3 KOHM +5%
R268	RME1816CA	R, METAL	1/32W 3.9 KOHM +5%
R269	RME1816CA	R, METAL	1/32W 3.9 KOHM +5%
R270	RME1785CA	R, METAL	1/32W 10 OHM +5%
R271	RME1833CA	R, METAL	1/32W 100 KOHM +5%
R272	RME1833CA	R, METAL	1/32W 100 KOHM +5%
R273	RME1818CA	R, METAL	1/32W 5.6 KOHM +5%
R275	RME1821CA	R, METAL	1/32W 1.8 KOHM +5%
R277	RME1807CA	R, METAL	1/32W 680 OHM +5%
R280	RME1821CA	R, METAL	1/32W 10 KOHM +5%
R281	RME1797CA	R, METAL	1/32W 100 OHM +5%
R282	RME1784CA	R, METAL	1/32W 0 OHM +5%
R283	RME1809CA	R, METAL	1/32W 1 KOHM +5%
R284	RME1812CA	R, METAL	1/32W 1.8 KOHM +5%
R285	RME1812CA	R, METAL	1/32W 1.8 KOHM +5%
R286	RME1801CA	R, METAL	1/32W 220 OHM +5%
R288	RME1801CA	R, METAL	1/32W 220 OHM +5%
R290	RME1801CA	R, METAL	1/32W 220 OHM +5%
R291	RME1809CA	R, METAL	1/32W 1 KOHM +5%
R292	RME1809CA	R, METAL	1/32W 1 KOHM +5%
R293	RME1818CA	R, METAL	1/32W 5.6 KOHM +5%
R324	RME2260CA	R, METAL	1/32W 75 OHM +5%
R296	RME1821CA	R, METAL	1/32W 10 KOHM +5%
R297	RME1815CA	R, METAL	1/32W 3.3 KOHM +5%
R298	RME1815CA	R, METAL	1/32W 3.3 KOHM +5%
R301	RME1817CA	R, METAL	1/32W 4.7 KOHM +5%
R302	RME1809CA	R, METAL	1/32W 1 KOHM +5%
R303	RME1809CA	R, METAL	1/32W 1 KOHM +5%
R304	RME1824CA	R, METAL	1/32W 18 KOHM +5%
R305	RME1803CA	R, METAL	1/32W 330 OHM +5%
R306		NOT USED	
R307	RME2260CA	R, METAL	1/32W 75 OHM +5%
R308	RME1819CA	R, METAL	1/32W 6.8 KOHM +5%
R309	RME1801CA	R, METAL	1/32W 220 OHM +5%
R310	RME1813CA	R, METAL	1/32W 2.2 KOHM +5%
R311	RME1806CA	R, METAL	1/32W 560 OHM +5%
R312	RME1819CA	R, METAL	1/32W 6.8 KOHM +5%
R313	RME1784CA	R, METAL	1/32W 0 OHM +5%
R314	RMR4935CA	R, METAL	1/16W 100 OHM +0.5%
R315	RME1821CA	R, METAL	1/32W 10 KOHM +5%
R316	RME1784CA	R, METAL	1/32W 0 OHM +5%
R317		NOT USED	
R320		NOT USED	
R321	RME1784CA	R, METAL	1/32W 0 OHM +5%
R325	RME1823CA	R, METAL	1/32W 15 KOHM +5%
R326	RME1784CA	R, METAL	1/32W 0 OHM +5%
R327	RME1784CA	R, METAL	1/32W 0 OHM +5%
R328	RME1833CA	R, METAL	1/32W 100 KOHM +5%
R329	RME1839CA	R, METAL	1/32W 1 MOHM +5%
R330	RME1799CA	R, METAL	1/32W 150 OHM +5%
R331	RME1809CA	R, METAL	1/32W 1 KOHM +5%
R332	RME1824CA	R, METAL	1/32W 18 KOHM +5%
R333	RME1821CA	R, METAL	1/32W 10 KOHM +5%
R401	RME1413CA	R, METAL	1/10W 0 OHM
R402	RME1813CA	R, METAL	1/32W 2.2 KOHM +5%
R403	RME1810CA	R, METAL	1/32W 1.2 KOHM +5%
R404	RME1810CA	R, METAL	1/32W 1.2 KOHM +5%
R405	RME1801CA	R, METAL	1/32W 220 OHM +5%
R406	RME1801CA	R, METAL	1/32W 220 OHM +5%
R407	RMR4900CA	R, METAL	1/16W 1.5 KOHM +0.5%
R408	RMR4900CA	R, METAL	1/16W 1.5 KOHM +0.5%
R409	RMR4944CA	R, METAL	1/16W 820 OHM +0.5%
R410	RME1785CA	R, METAL	1/32W 10 OHM +5%
R411	RME1808CA	R, METAL	1/32W 820 OHM +5%
R412	RME1799CA	R, METAL	1/32W 150 OHM +5%
R414	RMR4888CA	R, METAL	1/16W 3.3 KOHM +0.5%
R415	RMR4888CA	R, METAL	1/16W 3.3 KOHM +0.5%
R416		NOT USED	
R417		NOT USED	
R418	RMR4860CA	R, METAL	1/16W 10 KOHM +0.5%
R419	RMR4935CA	R, METAL	1/16W 100 OHM +0.5%
R420	RME1784CA	R, METAL	1/32W 0 OHM +5%
R421	RMR4909CA	R, METAL	1/16W 1 KOHM +0.5%
R422	RMR4935CA	R, METAL	1/16W 100 OHM +0.5%
R423	RMR4935CA	R, METAL	1/16W 100 OHM +0.5%
R424	RMR4909CA	R, METAL	1/16W 1 KOHM +0.5%
R425	RMR4889CA	R, METAL	1/16W 4.7 KOHM +0.5%
R426	RMR4907CA	R, METAL	1/16W 470 OHM +0.5%
R427	RMR4906CA	R, METAL	1/16W 120 OHM +0.5%

MU-DIGITAL(3/6)

SYMBOL	PART CODE	DESCRIPTION	
R428	RME1784CA	R, METAL	1/32W 0 OHM +-5%
R429	RMR4888CA	R, METAL	1/16W 3.3 KOHM +-0.5%
R430	RMR4935CA	R, METAL	1/16W 100 OHM +-0.5%
R431	RME1813CA	R, METAL	1/32W 2.2 KOHM +-5%
R432	RME1839CA	R, METAL	1/32W 1 MOHM +-5%
R434	RME1784CA	R, METAL	1/32W 0 OHM +-5%
R435	RME1784CA	R, METAL	1/32W 0 OHM +-5%
R436	RME1784CA	R, METAL	1/32W 0 OHM +-5%
R437	RME1784CA	R, METAL	1/32W 0 OHM +-5%
R438	RME1784CA	R, METAL	1/32W 0 OHM +-5%
R439	RME1784CA	R, METAL	1/32W 0 OHM +-5%
R440	RME1784CA	R, METAL	1/32W 0 OHM +-5%
R441	RME1784CA	R, METAL	1/32W 0 OHM +-5%
R442	RME1784CA	R, METAL	1/32W 0 OHM +-5%
R443	RME1784CA	R, METAL	1/32W 0 OHM +-5%
R444	RME1784CA	R, METAL	1/32W 0 OHM +-5%
R445	RME1784CA	R, METAL	1/32W 0 OHM +-5%
R451	RME1413CA	R, METAL	1/10W 0 OHM
R452	RME1414CA	R, METAL	1/10W 10 OHM +-5%
R453	RME1821CA	R, METAL	1/32W 10 KOHM +-5%
R454	RME1821CA	R, METAL	1/32W 10 KOHM +-5%
R455	RME1413CA	R, METAL	1/10W 0 OHM
R456	RME1821CA	R, METAL	1/32W 10 KOHM +-5%
R457	RME1821CA	R, METAL	1/32W 10 KOHM +-5%
R458		NOT USED	
R459		NOT USED	
R460		NOT USED	
R461	RME0912CA	R, METAL	1/8W 0 OHM
R462		NOT USED	
R463		NOT USED	
R464	RME1833CA	R, METAL	1/32W 100 KOHM +-5%
R465		NOT USED	
R466	RME1833CA	R, METAL	1/32W 100 KOHM +-5%
R467		NOT USED	
R470	RME1784CA	R, METAL	1/32W 0 OHM +-5%
R471	RME1784CA	R, METAL	1/32W 0 OHM +-5%
R472	RME1784CA	R, METAL	1/32W 0 OHM +-5%
R480		NOT USED	
R481		NOT USED	
R482		NOT USED	
R483	RME1833CA	R, METAL	1/32W 100 KOHM +-5%
RZ201	RZA0417CA	R, BLOCK	MNR14-EOAB-J-104
RZ202	RZA0417CA	R, BLOCK	MNR14-EOAB-J-104
RZ203	RZA0417CA	R, BLOCK	MNR14-EOAB-J-104
RZ204	RZA0417CA	R, BLOCK	MNR14-EOAB-J-104
RZ205	RZA0417CA	R, BLOCK	MNR14-EOAB-J-104
RZ206	RZA0417CA	R, BLOCK	MNR14-EOAB-J-104
RZ207	RZA0417CA	R, BLOCK	MNR14-EOAB-J-104
RZ208	RZA0417CA	R, BLOCK	MNR14-EOAB-J-104
RZ209	RZA0417CA	R, BLOCK	MNR14-EOAB-J-104
RZ210	RZA0416CA	R, BLOCK	MNR14-EOAB-J-101
RZ211	RZA0416CA	R, BLOCK	MNR14-EOAB-J-101
RZ212	RZA0416CA	R, BLOCK	MNR14-EOAB-J-101
RZ213	RZA0416CA	R, BLOCK	MNR14-EOAB-J-101
RZ214	RZA0417CA	R, BLOCK	MNR14-EOAB-J-104
RZ215	RZA0417CA	R, BLOCK	MNR14-EOAB-J-104
RZ216	RZA0414CA	R, BLOCK	MNR14-EOAB-J-220
RZ217	RZA0414CA	R, BLOCK	MNR14-EOAB-J-220
RZ218	RZA0414CA	R, BLOCK	MNR14-EOAB-J-220
RZ219	RZA0414CA	R, BLOCK	MNR14-EOAB-J-220
C201	GSX0175CY	C, TA ELYC	10 V 33 UF+-20%
C202	CCG0678CA	C, CERAMIC	16 V 0.1 UF+80-20%
C203	GSX0164CY	C, TA ELYC	16 V 22 UF+-20%
C204	CCG0678CA	C, CERAMIC	16 V 0.1 UF+80-20%
C205	GSX0182CY	C, TA ELYC	35 V 6.8 UF+-20%
C206	CCG0678CA	C, CERAMIC	16 V 0.1 UF+80-20%
C207	CCG0678CA	C, CERAMIC	16 V 0.1 UF+80-20%
C208	CCG0678CA	C, CERAMIC	16 V 0.1 UF+80-20%
C209	CCG0678CA	C, CERAMIC	16 V 0.1 UF+80-20%
C210	CCG0678CA	C, CERAMIC	16 V 0.1 UF+80-20%
C219	CSS0171CY	C, TA ELYC	16 V 10 UF+-20%
C220	GSX0183CY	C, TA ELYC	35 V 2.2 UF+-20%
C221	CCG0554CA	C, CERAMIC	50 V 100 PF+-5%
C222	CCG0553CA	C, CERAMIC	50 V 10 PF+-0.5PF
C223	CCG0561CA	C, CERAMIC	50 V 22 PF+-5%
C224	CCG0678CA	C, CERAMIC	16 V 0.1 UF+80-20%
C225	CSS0172CY	C, TA ELYC	16 V 22 UF+-20%
C226	CCG0678CA	C, CERAMIC	16 V 0.1 UF+80-20%
C227	CCG0678CA	C, CERAMIC	16 V 0.1 UF+80-20%
C228	CSMO050CZ	C, TA ELYC	16 V 1 UF+-20%
C229	CGE0225CA	C, PLASTIC	50 V10000 PF+-5%
C230	CGE0221CA	C, PLASTIC	50 V 1000 PF+-5%
C231	CGE0233CA	C, PLASTIC	50 V22000 PF+-5%
C232	CSMO034CZ	C, TA ELYC	10 V 10 UF+-20%
C233	CSMO050CZ	C, TA ELYC	16 V 1 UF+-20%
C234	CGE0225CA	C, PLASTIC	50 V10000 PF+-5%
C235	CGE0233CA	C, PLASTIC	50 V22000 PF+-5%
C236	CGE0221CA	C, PLASTIC	50 V 1000 PF+-5%
C237	CSMO034CZ	C, TA ELYC	10 V 10 UF+-20%

MU-DIGITAL(4/6)

SYMBOL	PART CODE	DESCRIPTION	
C239	CGE0225CA	C, PLASTIC	50 V10000 PF+-5%
C240	CGE0233CA	C, PLASTIC	50 V22000 PF+-5%
C241	CGE0221CA	C, PLASTIC	50 V 1000 PF+-5%
C242	CSMO034CZ	C, TA ELYC	10 V 10 UF+-20%
C244	CGE0225CA	C, PLASTIC	50 V10000 PF+-5%
C245	CGE0233CA	C, PLASTIC	50 V22000 PF+-5%
C246	CGE0221CA	C, PLASTIC	50 V 1000 PF+-5%
C247	CSMO034CZ	C, TA ELYC	10 V 10 UF+-20%
C248	CCG0678CA	C, CERAMIC	16 V 0.1 UF+80-20%
C249	CSMO038CZ	C, TA ELYC	16 V 4.7 UF+-20%
C250	CCG0678CA	C, CERAMIC	16 V 0.1 UF+80-20%
C251	CSMO038CZ	C, TA ELYC	16 V 4.7 UF+-20%
C252	CCG0678CA	C, CERAMIC	16 V 0.1 UF+80-20%
C253	CSMO038CZ	C, TA ELYC	16 V 4.7 UF+-20%
C254	CCG0678CA	C, CERAMIC	16 V 0.1 UF+80-20%
C255	CSMO038CZ	C, TA ELYC	16 V 4.7 UF+-20%
C256	CCG0678CA	C, CERAMIC	16 V 0.1 UF+80-20%
C257	CSMO034CZ	C, TA ELYC	10 V 10 UF+-20%
C258	CCG0678CA	C, CERAMIC	16 V 0.1 UF+80-20%
C259	CGE0225CA	C, PLASTIC	50 V10000 PF+-5%
C260	CGE0233CA	C, PLASTIC	50 V22000 PF+-5%
C261	CGE0221CA	C, PLASTIC	50 V 1000 PF+-5%
C262	CSMO017CZ	C, TA ELYC	10 V 3.3 UF+-20%
C263	CGE0225CA	C, PLASTIC	50 V10000 PF+-5%
C264	CGE0233CA	C, PLASTIC	50 V22000 PF+-5%
C265	CGE0221CA	C, PLASTIC	50 V 1000 PF+-5%
C266	CSMO017CZ	C, TA ELYC	10 V 3.3 UF+-20%
C267	CCG0678CA	C, CERAMIC	16 V 0.1 UF+80-20%
C268	CCG0678CA	C, CERAMIC	16 V 0.1 UF+80-20%
C269	CSMO038CZ	C, TA ELYC	16 V 4.7 UF+-20%
C270	CSMO038CZ	C, TA ELYC	16 V 4.7 UF+-20%
C271	CSMO038CZ	C, TA ELYC	16 V 4.7 UF+-20%
C272	CSMO038CZ	C, TA ELYC	16 V 4.7 UF+-20%
C273	CSMO038CZ	C, TA ELYC	16 V 4.7 UF+-20%
C274	CCG0678CA	C, CERAMIC	16 V 0.1 UF+80-20%
C275	CSMO038CZ	C, TA ELYC	16 V 4.7 UF+-20%
C276	CCG0678CA	C, CERAMIC	16 V 0.1 UF+80-20%
C277	CSMO038CZ	C, TA ELYC	16 V 4.7 UF+-20%
C278	CCG0678CA	C, CERAMIC	16 V 0.1 UF+80-20%
C279	CSMO038CZ	C, TA ELYC	16 V 4.7 UF+-20%
C280	CCG0678CA	C, CERAMIC	16 V 0.1 UF+80-20%
C281	CGE0225CA	C, PLASTIC	50 V10000 PF+-5%
C282	CGE0233CA	C, PLASTIC	50 V22000 PF+-5%
C283	CGE0221CA	C, PLASTIC	50 V 1000 PF+-5%
C284	CSMO017CZ	C, TA ELYC	10 V 3.3 UF+-20%
C285	CGE0225CA	C, PLASTIC	50 V10000 PF+-5%
C286	CGE0233CA	C, PLASTIC	50 V22000 PF+-5%
C287	CGE0221CA	C, PLASTIC	50 V 1000 PF+-5%
C288	CSMO017CZ	C, TA ELYC	10 V 3.3 UF+-20%
C289	CSMO034CZ	C, TA ELYC	10 V 10 UF+-20%
C290	CCG0678CA	C, CERAMIC	16 V 0.1 UF+80-20%
C291	CGE0221CA	C, PLASTIC	50 V 1000 PF+-5%
C292	CCG0678CA	C, CERAMIC	16 V 0.1 UF+80-20%
C293	CCG0678CA	C, CERAMIC	16 V 0.1 UF+80-20%
C294	CCG0575CA	C, CERAMIC	25 V10000 PF+-10%
C295	CCG0678CA	C, CERAMIC	16 V 0.1 UF+80-20%
C296	CCG0575CA	C, CERAMIC	25 V10000 PF+-10%
C297	CCG0678CA	C, CERAMIC	16 V 0.1 UF+80-20%
C298	CCG0678CA	C, CERAMIC	16 V 0.1 UF+80-20%
C299	CCG0678CA	C, CERAMIC	16 V 0.1 UF+80-20%
C301	CGE0225CA	C, PLASTIC	50 V10000 PF+-5%
C302	CCG0678CA	C, CERAMIC	16 V 0.1 UF+80-20%
C303	CCG0557CA	C, CERAMIC	50 V 15 PF+-5%
C304	CCG0565CA	C, CERAMIC	50 V 39 PF+-5%
C305	CCG0570CA	C, CERAMIC	50 V 3 PF+-0.25PF
C306	CCG0575CA	C, CERAMIC	25 V10000 PF+-10%
C308	CCG0678CA	C, CERAMIC	16 V 0.1 UF+80-20%
C309	CCG0575CA	C, CERAMIC	25 V10000 PF+-10%
C310	CCG0678CA	C, CERAMIC	16 V 0.1 UF+80-20%
C311	CCG0575CA	C, CERAMIC	25 V10000 PF+-10%
C312	CCG0575CA	C, CERAMIC	25 V10000 PF+-10%
C313	CCG0586CA	C, CERAMIC	50 V 270 PF+-5%
C314	CCG0678CA	C, CERAMIC	16 V 0.1 UF+80-20%
C318	CCG0678CA	C, CERAMIC	16 V 0.1 UF+80-20%
C319	CCG0678CA	C, CERAMIC	16 V 0.1 UF+80-20%
C320	CCG0678CA	C, CERAMIC	16 V 0.1 UF+80-20%
C321	CCG0678CA	C, CERAMIC	16 V 0.1 UF+80-20%
C322	CCG0678CA	C, CERAMIC	16 V 0.1 UF+80-20%
C326	CCG0678CA	C, CERAMIC	16 V 0.1 UF+80-20%
C327	GSX0165CZ	C, TA ELYC	16 V 3.3 UF+-20%
C328	CCG0678CA	C, CERAMIC	16 V 0.1 UF+80-20%
C329	CCG0678CA	C, CERAMIC	16 V 0.1 UF+80-20%
C330	CCG0575CA	C, CERAMIC	25 V10000 PF+-10%
C401	CCG0689CA	C, CERAMIC	16 V22000 PF+-10%
C402	CCG0689CA	C, CERAMIC	16 V22000 PF+-10%
C403	CCG0689CA	C, CERAMIC	16 V22000 PF+-10%
C404	CCG0689CA	C, CERAMIC	16 V22000 PF+-10%
C405	GSX0165CZ	C, TA ELYC	16 V 3.3 UF+-20%
C406	CCG0689CA	C, CERAMIC	16 V22000 PF+-10%
C407	CCG0689CA	C, CERAMIC	16 V22000 PF+-10%
C408	CCG0689CA	C, CERAMIC	16 V22000 PF+-10%

MU-DIGITAL(5/6)

SYMBOL	PART CODE	DESCRIPTION	
C409	CCG0689CA	C, CERAMIC	16 V22000 PF+-10%
C410	CCG0689CA	C, CERAMIC	16 V22000 PF+-10%
C413	CCG0561CA	C, CERAMIC	50 V 22 PF+-5%
C414	CCG0689CA	C, CERAMIC	16 V22000 PF+-10%
C415	CCG0689CA	C, CERAMIC	16 V22000 PF+-10%
C416	CCG0689CA	C, CERAMIC	16 V22000 PF+-10%
C417	CCG0678CA	C, CERAMIC	16 V22000 PF+-10%
C418	CCG0689CA	C, CERAMIC	16 V22000 PF+-10%
C419	GSX0183CY	C, TA ELYC	35 V 2.2 UF+-20%
C420	CCG0678CA	C, CERAMIC	16 V 0.1 UF+80-20%
C421	CCG0689CA	C, CERAMIC	16 V22000 PF+-10%
C425	CCG0689CA	C, CERAMIC	16 V22000 PF+-10%
C426	CCG0689CA	C, CERAMIC	16 V22000 PF+-10%
C427	CCG0689CA	C, CERAMIC	16 V22000 PF+-10%
C428	CCG0689CA	C, CERAMIC	16 V22000 PF+-10%
C429	CCG0689CA	C, CERAMIC	16 V22000 PF+-10%
C451	GSX0182CY	C, TA ELYC	35 V 6.8 UF+-20%
C452	CCG0678CA	C, CERAMIC	16 V 0.1 UF+80-20%
C453	GSX0169CY	C, TA ELYC	16 V 33 UF+-20%
C454	CCG0678CA	C, CERAMIC	16 V 0.1 UF+80-20%
C455	CSM0050CZ	C, TA ELYC	16 V 1 UF+-20%
C456	GSX0169CY	C, TA ELYC	16 V 33 UF+-20%
C457	CCG0678CA	C, CERAMIC	16 V 0.1 UF+80-20%
C458	GSX0166CY	C, TA ELYC	16 V 10 UF+-20%
C459	CCG0678CA	C, CERAMIC	16 V 0.1 UF+80-20%
C460	GSX0166CY	C, TA ELYC	16 V 10 UF+-20%
C461	CCG0678CA	C, CERAMIC	16 V 0.1 UF+80-20%
C462	GSX0166CY	C, TA ELYC	16 V 10 UF+-20%
C463	CCG0678CA	C, CERAMIC	16 V 0.1 UF+80-20%
C464	CCG0678CA	C, CERAMIC	16 V 0.1 UF+80-20%
C465	CCG0678CA	C, CERAMIC	16 V 0.1 UF+80-20%
C466	CCG0678CA	C, CERAMIC	16 V 0.1 UF+80-20%
C467	CCG0678CA	C, CERAMIC	16 V 0.1 UF+80-20%
C468	CCG0678CA	C, CERAMIC	16 V 0.1 UF+80-20%
C469	CCG0678CA	C, CERAMIC	16 V 0.1 UF+80-20%
C470		NOT USED	
C471	CCG0678CA	C, CERAMIC	16 V 0.1 UF+80-20%
C472	CCG0678CA	C, CERAMIC	16 V 0.1 UF+80-20%
C473	CCG0678CA	C, CERAMIC	16 V 0.1 UF+80-20%
C474	CCG0678CA	C, CERAMIC	16 V 0.1 UF+80-20%
C475	CCG0678CA	C, CERAMIC	16 V 0.1 UF+80-20%
C476	CCG0678CA	C, CERAMIC	16 V 0.1 UF+80-20%
C477	CCG0678CA	C, CERAMIC	16 V 0.1 UF+80-20%
C478	CCG0678CA	C, CERAMIC	16 V 0.1 UF+80-20%
C479	CCG0678CA	C, CERAMIC	16 V 0.1 UF+80-20%
C480	CCG0678CA	C, CERAMIC	16 V 0.1 UF+80-20%
C481	CCG0689CA	C, CERAMIC	16 V22000 PF+-10%
C482	CCG0689CA	C, CERAMIC	16 V22000 PF+-10%
C483	CCG0689CA	C, CERAMIC	16 V22000 PF+-10%
C484	CCG0678CA	C, CERAMIC	16 V 0.1 UF+80-20%
C485	CCG0678CA	C, CERAMIC	16 V 0.1 UF+80-20%
C487	GSX0169CY	C, TA ELYC	16 V 33 UF+-20%
C488	CSM0050CZ	C, TA ELYC	16 V 1 UF+-20%
C489	GSM0050CZ	C, TA ELYC	16 V 1 UF+-20%
C490	GSX0175CY	C, TA ELYC	10 V 33 UF+-20%
C491	CCG0678CA	C, CERAMIC	16 V 0.1 UF+80-20%
C492	GSX0191CY	C, TA ELYC	20 V 22 UF+-20%
C493	CCG0577CA	C, CERAMIC	50 V 2200 PF+-10%
C494	CCG0577CA	C, CERAMIC	50 V 2200 PF+-10%
C495	CCG0577CA	C, CERAMIC	50 V 2200 PF+-10%
C496	CCG0577CA	C, CERAMIC	50 V 2200 PF+-10%
C497		NOT USED	
L201	TLL0361CA	COIL	LQH32CN100K23L (10UH)
L202	TLL0361CA	COIL	LQH32CN100K23L (10UH)
L203	TLL0361CA	COIL	LQH32CN100K23L (10UH)
L204	TLN0006CA	COIL	220 MA 4.7 UH+-5%
L205	AFA0017CA	FILE	AGM3225-102-2P
L207	TLL0361CA	COIL	LQH32CN100K23L (10UH)
L208	TLL0361CA	COIL	LQH32CN100K23L (10UH)
L209	TLL0361CA	COIL	LQH32CN100K23L (10UH)
L210	TLL0361CA	COIL	LQH32CN100K23L (10UH)
L211	TLL0361CA	COIL	LQH32CN100K23L (10UH)
L212	TLL0361CA	COIL	LQH32CN100K23L (10UH)
L213	TLL0361CA	COIL	LQH32CN100K23L (10UH)
D203	HDH0311CZ	DIODE	HVU-359
D204	HDD0154CZ	DIODE	DAP202K
D205	HDD0154CZ	DIODE	DAP202K
D206	HDD0154CZ	DIODE	DAP202K
D207	HDD0154CZ	DIODE	DAP202K
D208	HDD0209CZ	DIODE	DAN217
D209	HDH0308CA	DIODE	HSM107S
X201	AAA0027	XTAL	AT-51A 15.36 MHZ
XS201	AYN0001	SPACER	NB-0334 AT-51/51A
P1	JBK0025	CONNECTOR	KX15-140KLN1L
J1	JBD0290	CONNECTOR	DF13-15P-1.25H(20)
J8	JBF0072MA	CONNECTOR	FH12-30S-0.5SH
J10	JBF0072MA	CONNECTOR	FH12-30S-0.5SH

MU-DIGITAL(6/6)

SYMBOL	PART CODE	DESCRIPTION	
ICS202	IWX0010	SOCKET, IC	72308-52U-445
ICS231	IWX0010	SOCKET, IC	72308-52U-445
ICS408	IWX0010	SOCKET, IC	72308-52U-445
SW201	SSD0059CG	SW, DIGITAL	CHS-02A(1)
SW202	SSD0059CG	SW, DIGITAL	CHS-02A(1)
TP201	ETS0174CA	CHECK, CHIP	EYF6C(2125)/RCT00000C001A
TP202	ETS0174CA	CHECK, CHIP	EYF6C(2125)/RCT00000C001A
TP203	ETS0174CA	CHECK, CHIP	EYF6C(2125)/RCT00000C001A